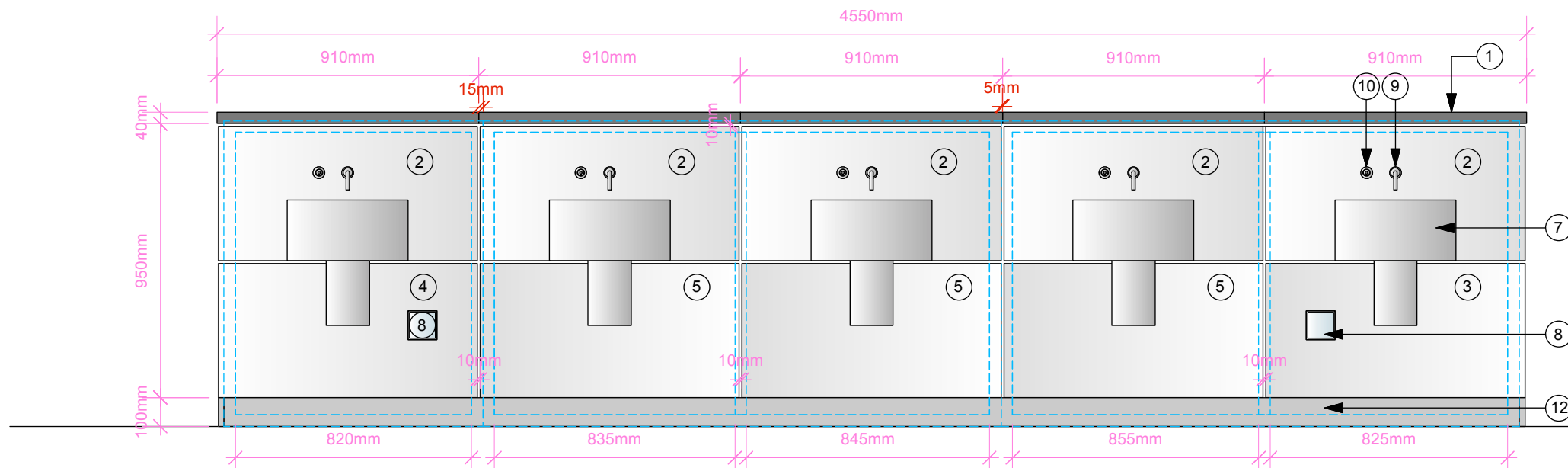
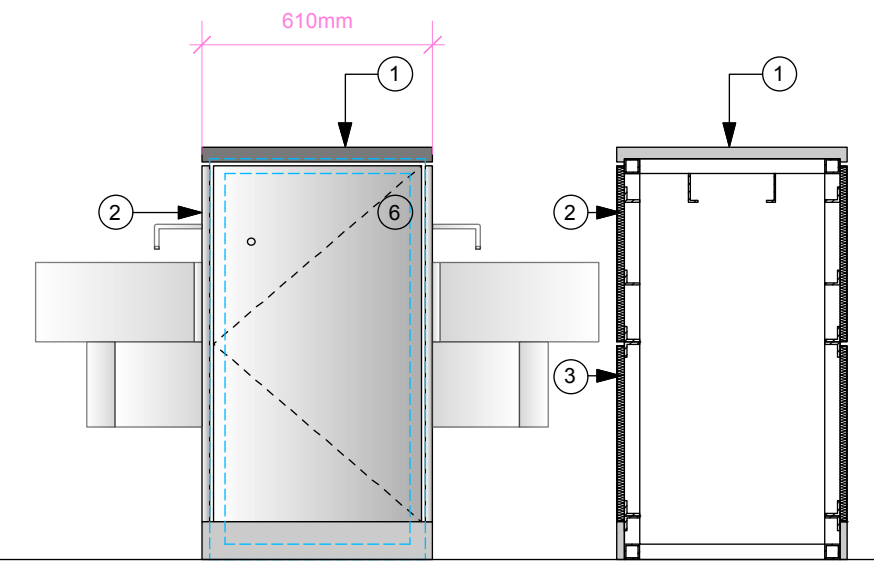


ISLAND BASIN TOP VIEW

- MATERIAL KEY:**
- 1 - Granite Worktops to match existing
 - 2 - Side Panel A to match existing
 - 3 - Side Panel B to match existing
 - 4 - Side Panel C to match existing
 - 5 - Side Panel D to match existing
 - 6 - Side Panel E with Key lock to match existing
 - 7 - Reinstall existing hand wash basins
 - 8 - Vision Overflow Pane - to match existing
 - 9 - Reinstall existing taps and sensors
 - 10 - Reinstall existing sensors
 - 11 - install new soap dispensers, Location TBC on site
 - 12 - install skirting to match existing
- NOTE:**
- 1. All side panels to be insulated stainless steel panels to match existing.
 - 2. MC to use island basins' existing stainless steel panels to create templates for laser cutter.



ISLAND BASIN FRONT VIEW



RIGHT SIDE VIEW

SECTION AA